

INTRODUCTION



mPm® DIN Connectors New Generation

The new generation of DIN connectors provides unsurpassed IP67 sealing performance with easier assembly and mounting and lower installed cost.

The Brad® product line extends its range by introducing the new generation of DIN connectors. The mPm® DIN connector is designed to save time and money, while improving overall performance and reliability. This innovative design reduces the number of components, making it easier to assemble with fewer parts to stock. Traditional connectors are supplied pre-assembled requiring the operator to disassemble the connector before terminating the cable. This new generation of connectors is supplied in a single set or bulk components, eliminating the costly effort of disassembly and providing further cost savings.

The Brad® mPm® products are recognized throughout the industry for their performance and reliability. The new generation design provides repeatable, unsurpassed IP67 sealing performance (including in humidity) using an external nut over the cable. Traditional Form A and B connectors require three different styles for PG07, PG09 and PG11. However, the external nut accepts a wider range of cables (4.00mm to 9.00mm), reducing the number of parts from 3 to 1. Combined with our fixed gasket, assembly and mounting could not be easier.

Fewer parts to stock, unsurpassed IP67 sealing performance, easier assembly and mounting lower installed cost. This new generation of DIN connectors is available in our complete range of field attachable sizes, including Form A, Form B and Form C.



Approval is available on request

DIN Form A
DIN Form A + Circuit
DIN Industrial Form
DIN Industrial Form + Circuit
DIN Form B
DIN Form B + Circuit
DIN Form C
DIN Form C + Circuit
DIN Form Micro
DIN Form Micro + Circuit



FEATURES AND BENEFITS

- Unsurpassed IP67 sealing performance, including in humidity
- Suitable for cables from 4.00mm to 9.00mm
- Fewer components reduces cost and simplifies assembly
- Supplied disassembled in one bag to reduce assembly cost

APPLICATIONS

All industrial applications:

- Solenoid valves
- Pneumatics
- Hydraulics
- Gas valves
- Pressure switches
- Transducers
- Cylinders



Hoge Buizen - 1980 EPEGEM (BE)

www.LDA.be - LDA@LDA.be

(+32(0)2- 266 13 13

TECHNICAL DESCRIPTION



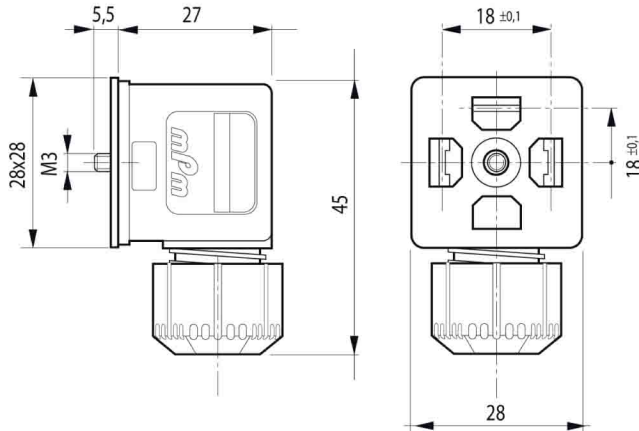
**mPm® DIN Connectors
New Generation**

**DIN Form A
DIN Form A + Circuit**

EN175301-803
(ex DIN 43650), FORM A

121201 - Serie C282/283 2/3 poles + ground

121207 - Serie S282 2 poles + ground
ELECTRONIC CIRCUIT*



SPECIFICATIONS

Reference Information

Packing Single pack or bulk components

Mechanical

Contact distance 18 ± 0,1
Housing Glass Filled Polyamide
Ø cable range 4.00 ÷ 9.00 mm

Electrical

Voltage rating:
AC Max. 250V
DC Max. 300V
Max. current 16.0A
Contact resistance ≤ 4 m Ohm
Max. conductor 1,5 mm² / 16AWG

Environmental

Protection class IP67 EN60529
Gasket material:
Nitrile Rubber -40°C ÷ +90°C
Silicon -40°C ÷ +125°C

ORDERING INFORMATION

Order (EDP) N° 1 2 1 2 0 1 0 0 0 1

Engineering N° C 2 8 2 0 0 N 0 R

Numbers of poles

2 = 2 poles + ground
3 = 3 poles + ground

Colour

N = Black
G = Gray
T = Transparent

Gasket - screw

R = Integrated gasket in Nitrile Rubber + fixing screw IP67
S = Integrated gasket in Silicon + fixing screw IP67

*An extensive range of standard electronic circuit is available. For example LED illuminating devices, VDR diodes to offer protection against overvoltage or peaks. Sketch and more details are available on the general catalogue or on the website.



Hoge Buizen - 1980 EPPEGEM (BE)
www.LDA.be - LDA@LDA.be
(+32(0)2- 266 13 13

TECHNICAL DESCRIPTION



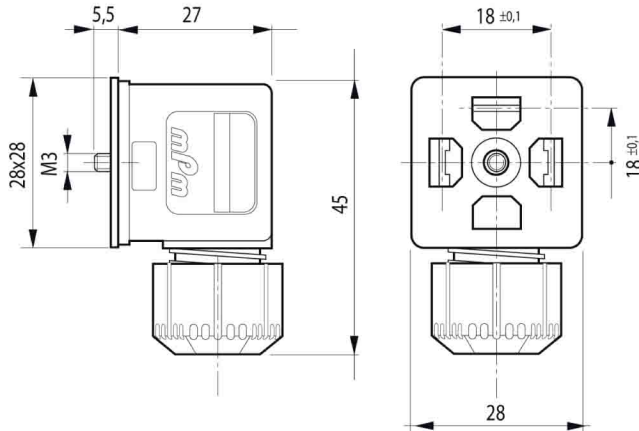
**mPm® DIN Connectors
New Generation**

**DIN Form A
DIN Form A + Circuit**

EN175301-803
(ex DIN 43650), FORM A

121201 - Serie C282/283 2/3 poles + ground

121207 - Serie S282 2 poles + ground
ELECTRONIC CIRCUIT*



SPECIFICATIONS

Reference Information

Packing Single pack or bulk components

Mechanical

Contact distance 18 ± 0,1
Housing Glass Filled Polyamide
Ø cable range 4.00 ÷ 9.00 mm

Electrical

Voltage rating:
AC Max. 250V
DC Max. 300V
Max. current 16.0A
Contact resistance ≤ 4 m Ohm
Max. conductor 1,5 mm² / 16AWG

Environmental

Protection class IP67 EN60529
Gasket material:
Nitrile Rubber -40°C ÷ +90°C
Silicon -40°C ÷ +125°C

ORDERING INFORMATION

Order (EDP) N° 1 2 1 2 0 1 0 0 0 1

Engineering N° C 2 8 2 0 0 N 0 R

Numbers of poles

2 = 2 poles + ground
3 = 3 poles + ground

Colour

N = Black
G = Gray
T = Transparent

Gasket - screw

R = Integrated gasket in Nitrile Rubber + fixing screw IP67
S = Integrated gasket in Silicon + fixing screw IP67

*An extensive range of standard electronic circuit is available. For example LED illuminating devices, VDR diodes to offer protection against overvoltage or peaks. Sketch and more details are available on the general catalogue or on the website.



Hoge Buizen - 1980 EPEGEM (BE)
www.LDA.be - LDA@LDA.be
(+32(0)2- 266 13 13

TECHNICAL DESCRIPTION



mPm® DIN Connectors New Generation DIN Form C DIN Form C + Circuit DIN Form Micro DIN Form Micro + Circuit

EN175301-803
(ex DIN 43650), FORM C:

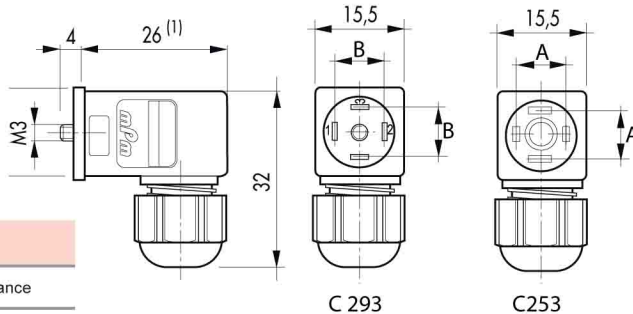
121204 - Series C252/253
121210 - Series S252

2/3 poles + ground
2 poles + ground
ELECTRONIC CIRCUIT*

MICRO:

121205 - Series C292/293
121211 - Series S292

2/3 poles + ground
2 poles + ground
ELECTRONIC CIRCUIT*



| NOTE | |
|----------|------------------------|
| A | 8mm contact distance |
| B | 9,4mm contact distance |
| (1) 26mm | height |

30 % increase in the internal volume, previous height was 23,5 mm, of the housings improves handling, wire routing and speed of assembly. As the Housing does not protrude past the top of the Nut, the external «volume» has not increased and thus has no impact on the customer application

SPECIFICATIONS

Reference Information

Packing Single pack or bulk components

Mechanical
Contact distance:
252/253 8 ± 0,1
292/293 9,4 ± 0,1
Housing Glass Filled Polyamide
Ø cable range 3,00 ÷ 5,5 mm

Electrical

Voltage rating:
AC Max. 250V
DC Max. 300V
Max. current 10.0A
Contact resistance ≤ 4 m Ohm
Max. conductor 0,75 mm² / 18AWG

Environmental

Protection class IP67 EN60529
Gasket material:
Nitrile Rubber -40°C ÷ +90°C
Silicon -40°C ÷ +125°C

ORDERING INFORMATION

Order (EDP) N° 1 2 1 2 0 4 0 0 0 1

Engineering N° C 2 5 2 0 0 N 0 T

Series

5 = DIN 43650, Form C
9 = MICRO

Numbers of poles

2 = 2 poles + ground
3 = 3 poles + ground

Colour

N = Black
G = Gray
T = Transparent

Gasket - screw

Z = Flat gasket in Nitrile Rubber + fixing screw IP67
T = Profile gasket in Nitrile Rubber + fixing screw IP67
U = Profile gasket in Silicon + fixing screw IP67
W = Flat gasket in Silicon Rubber + fixing screw IP67

*An extensive range of standard electronic circuit is available. For example LED illuminating devices, VDR diodes to offer protection against overvoltage or peaks. Sketch and more details are available on the general catalogue or on the website.